

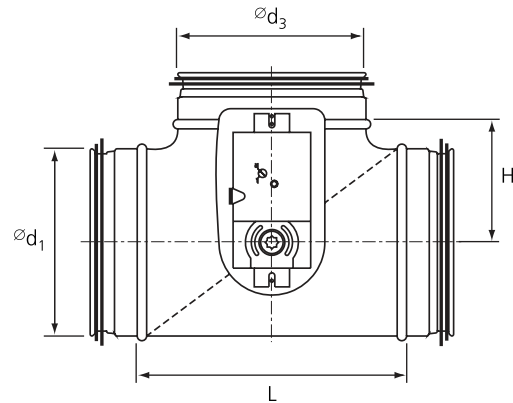
Bypass dampers

TVTBL

VINADUCT JSC.
 Tel: +84-4-8626801/ 6341006
 Fax: +84-4-8629663
 E-mail: info@vinaduct.com
 Website at www.vinaduct.com



Dimensions



Description

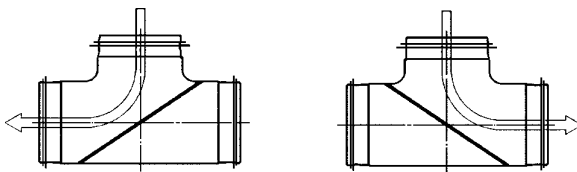
A bypass damper replaces 2 standard dampers with couplings and a T-piece.

TVTBL

Bypass damper with motor fitted.

For motor selection: $\varnothing 100-250$
 $\varnothing 315$

see p. 107
 see p. 109



$\varnothing d_1, \varnothing d_3$ nom	L mm	H mm	kg
100 100	150	65	0.8
125 125	184	83	1.1
160 160	229	105	1.7
200 200	281	125	2.2
250 250	307	150	3.4
315 315	390	182	4.9

Ordering

Product code: **TVTBL** **aaa** **bbb**

Type _____

$\varnothing d_1$ _____

Motor type _____